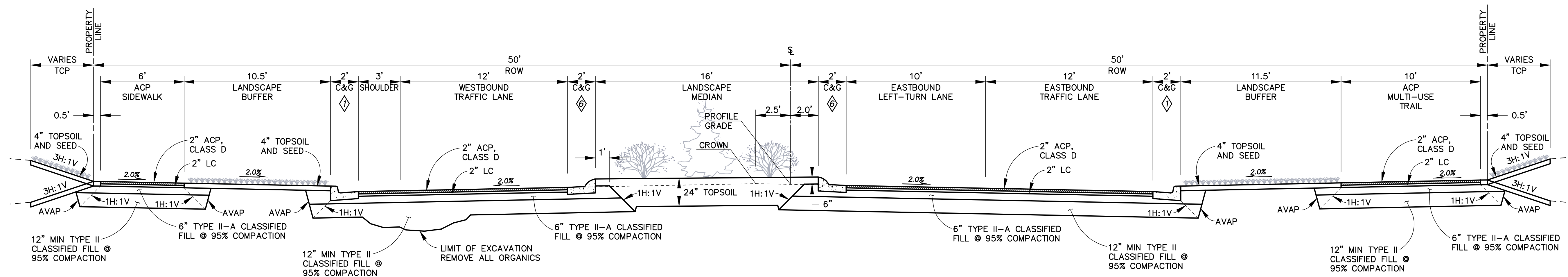
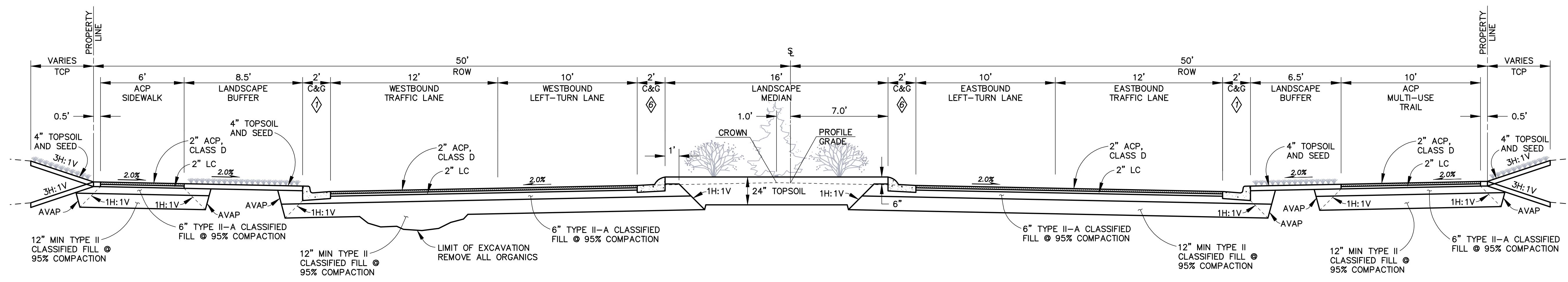


PROJECT: P:\PROJECTS\0509358\16TH AVENUE DESIGN DDT-C&S\16TH.DWG  
 DRAWING NAME: SCRIPT FILE FOR THIS SHEET: DDT-SEC01L.dwg  
 PLOTTED: DEC 30 2004 10:19:04 (SLK)  
 DOWL FILE NO: 230-82



1  
5
**TYPICAL SECTION CREEKSIDE PARKWAY STA 146+32.80 TO 147+40.00**  
 NTS



2  
5
**TYPICAL SECTION CREEKSIDE PARKWAY STA 147+40.00 TO 148+37.24**  
 NTS

95% SUBMITTAL

FIELD BOOKS	BM NO.	LOCATION	ELEV.	DATA	DRAWN BY	CHECKED BY	DATA	DRAWN BY	CHECKED BY	REV	DATE	DESCRIPTION	BY	REV	DATE	DESCRIPTION	BY	
DESIGN: 1580, 1581, 1582, 1583				BASE	DOWL		TELEPHONE	DOWL										
				TOPOGRAPHY	DOWL		ELECTRIC	DOWL										
				PROFILE	DOWL		CABLE TV	DOWL										
				SANITARY SEWER	DOWL		TRAFFIC SIGNAL	DOWL										
				STORM SEWER	DOWL		DESIGN											
				WATER	DOWL		QUANTITIES											
				GAS	DOWL		MUN. FINAL CHECK											

**DOWL ENGINEERS**  
 4040 B STREET ANCHORAGE, ALASKA 99503  
 (907)562-2000

STATE OF ALASKA  
 49th  
 Steven K. Noble  
 CE-10051  
 REGISTERED PROFESSIONAL ENGINEER

MUNICIPALITY OF ANCHORAGE

**PROJECT MANAGEMENT AND ENGINEERING DEPARTMENT**  
 02-12 CREEKSIDE TOWN CENTER - 16TH AVENUE  
**TYPICAL SECTIONS**  
 SCALE: AS SHOWN  
 DATE DEC 2004  
 GRID 1340 1341 1440 1441  
 SHEET 5 of 41